



Trusted by Professionals Since 1989



EGT-838

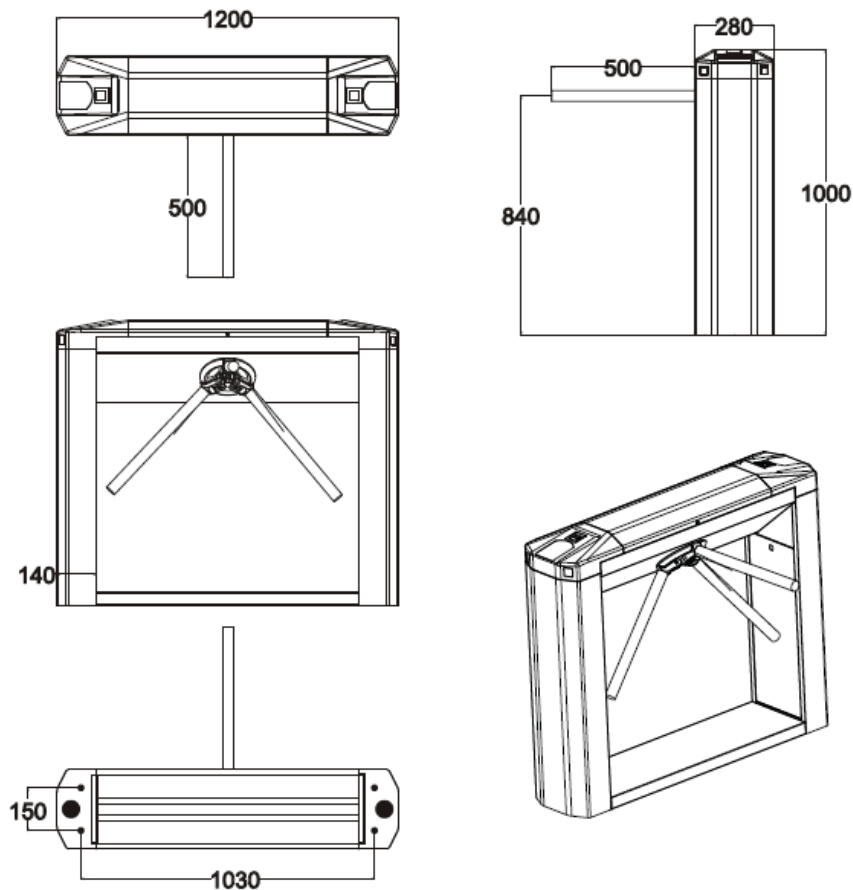
ELID Tripod Turnstile

we make your world secure 

EGT-838 ELID Tripod Turnstile is made up using 304 stainless steel. The tripod turnstile is design to work in harsh environment. The turnstile can easily control ingress and egress of people. Arms will drop automatically when there is an emergency signal to the turnstile. EGT-838 can be use in station, pier, subway, factory, office building, hotel, clubs, enterprise, etc. The EGT-838 turnstile mechanism can be easily integrated with various types of access control identification technologies to provide intelligent control and management of crowd in a building.

Technical Parameters

- Housing material: domestic standard 304# stainless steel
- Working voltage: AC220±10%V 50±10%HZ
- Working movement: DC24V solenoid valve
- Size: 1200mm (L) * 280mm (W) * 1000mm (H)
- Arm width: 500 mm
- Support force of arm: 60kg
- Certification: CE / ISO/ SGS
- Direction: single or bi-directional (optional)
- LED light: direction arrow
- Working environment: indoor/outdoor (with a tent over) -10°C~70°C
- Relative humidity: ≤90% coagulation free
- Time of opening: 0.2 second
- Pass speed: 25~30 persons/min
- Emergency: When power off, arm open automatically
- Normal running life: 3 million times
- Communication interface: standard RS485 interface, distance ≤1200m
- Input interface: +12V level signal or pulse width>100ms 12V pulse, drive current>10mA



For more information: Check out the website at www.elid.com, or contact our dealers. ELID has a policy of continuous research and development, and reserves the right to change specifications without notice.

www.elid.com